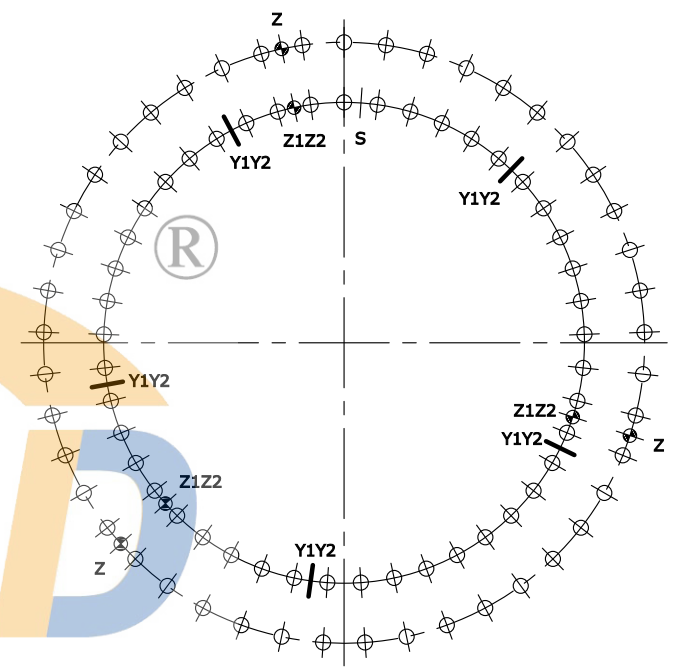
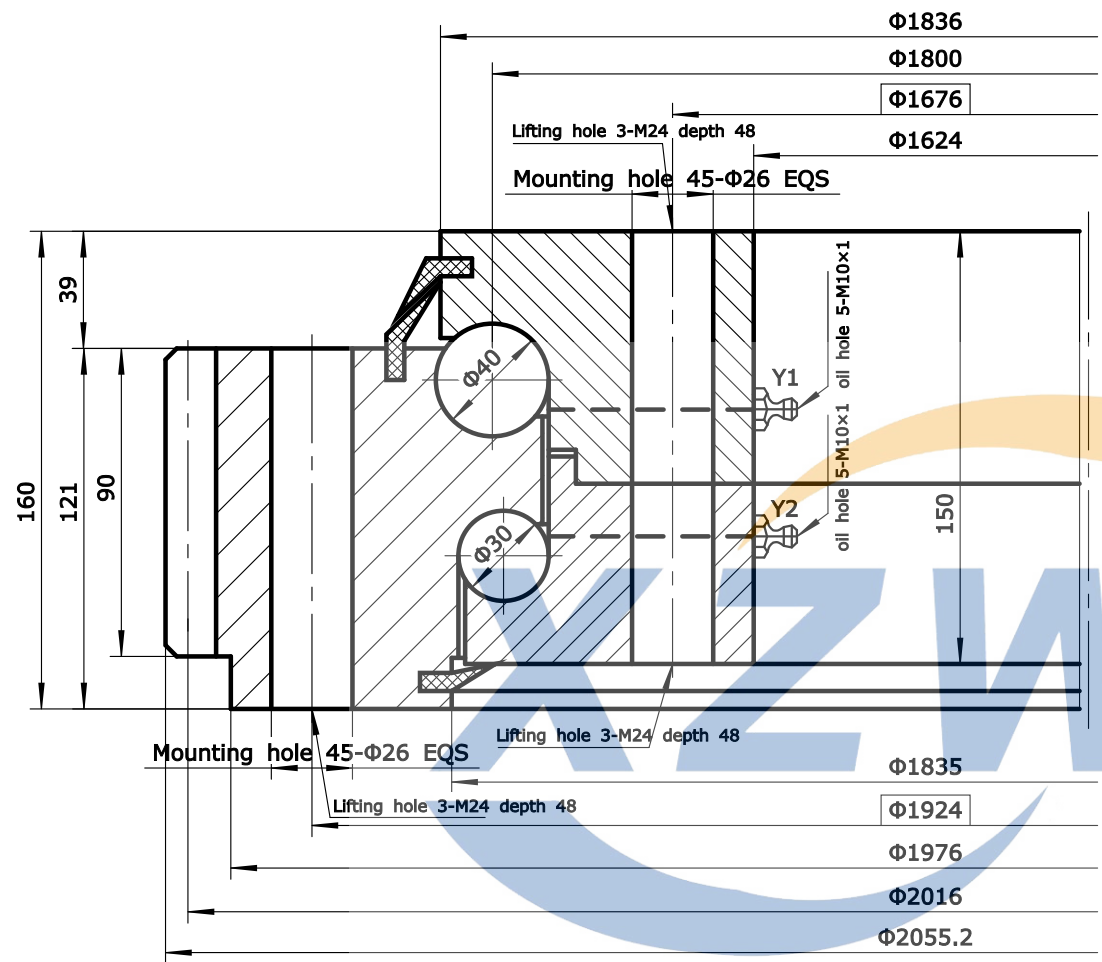



6.3

U.O.N



Notes:
 1. Raceway of inner & outer ring induction hardened. hardness: 55~62HRC
 Depth ≥ 3.5mm
 2. Inner & outer ring quenched & tempered, hardness: 207~262HB

Gear Data				Design		Check		Model				Weight				
Module	m	14	Gear heat treatment requirements		Date	Approve		021.40.1800				Weight	820kg			
Teeth no	z	144	HRC		Qty	Size	Axial clearance	0.10~0.40				Name	Slewing Bearing	Qty	Scale	
Teeth pressure angle	α	20°	Precision(GB10095-88)	10	Inner ring mounting hole	45	Φ26	Radial clearance	0.20~1.00				Material	50Mn	Total 1 page	The 1st page
Modification coefficients	x	+0.5			Outer ring mounting hole	45	Φ26	machine tolerances without notes				XUZHOU WANDA SLEWING BEARING CO.,LTD  Fax: +86 516 83309366 Fax: +86 516 83915766 http://www.slew-bearing.com				
Reduction coefficients	km	1.4			Oil hole	2x5	M10x1	≤200	≤500	≤710	≤1120					
Pitch diameter	d	2016						±0.30	±0.40	±0.50	±0.65					
								≤1600	≤2000	≤2500	≤3150					
								±0.80	±0.95	±1.10	±1.35					
								≤4000	≤5000							
								±1.65	±2.0							
					T:Pul location S:Soft zone Y:Oil hole Z:Lifting hole					Technical processing standards without notes according to ...JB/T2300-2011						